

# PS Series

## Type 1CA

### (Din-rail Mounting SPDs)



#### Specifications

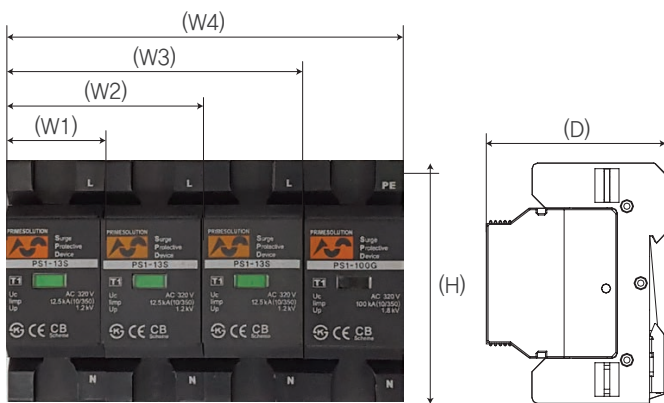
- Frequency (Hz) : 50/60
- Protection Mode : L-N / N-PE
- Degree of protection : IP 20
- Diagnostics : Green Flags (Protected) / Red Flags (Replace)
- Connection & Mounting Method : Parallel Connection Type / Wall Mounting
- Internal Disconnecter : Thermal Runaway Multi-Fusing Protection
- Size of connecting wir : 10 ~ 16 mm<sup>2</sup> (or # 7 ~ 5AWG)
- **Optional Functions** : **Remote Contact**

Model No.		PS1-13S	PS1-25S	PS1-50G	PS1-100G
Nominal Voltage Rating		Single-Phase 110~440V 1W+GND			
MCOV (Vac)		110 ~ 320			
$I_n$ (kA) / $I_{imp}$ (kA) -8/20 $\mu$ S- / -10/350 $\mu$ S-	L-N	40 / 12.5	80 / 25	-	-
	N-PE	-	-	50 / 50	100 / 100
VPR (Vpk)	L-N	1.2	1.3	-	-
	N-PE	-	-	1.8	1.8
SCCR (kA)		200	200	200	200

Model No.		PS1-13S2P	PS1-25S2P	PS1-13S/50G	PS1-25S/50G
Nominal Voltage Rating		Single-Phase 110~440V 2W+GND			
MCOV (Vac)		110 ~ 320			
$I_n$ (kA) / $I_{imp}$ (kA) -8/20 $\mu$ S- / -10/350 $\mu$ S-	L-N	40 / 12.5	80 / 25	40 / 12.5	80 / 25
	N-PE	-	-	50 / 50	50 / 50
VPR (Vpk)	L-N	1.2	1.3	1.2	1.3
	N-PE	-	-	1.8	1.8
SCCR (kA)		200	200	200	200

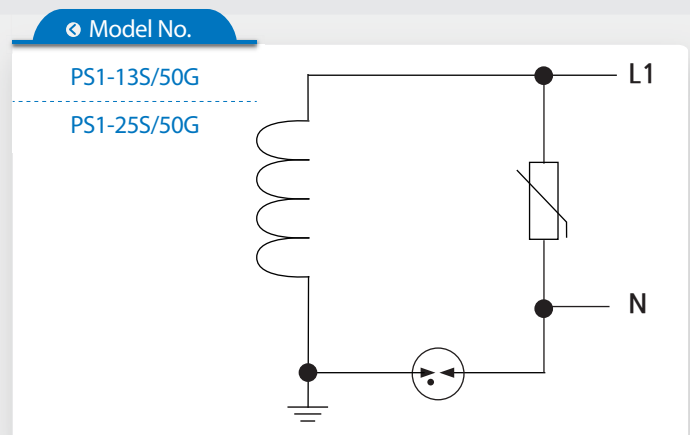
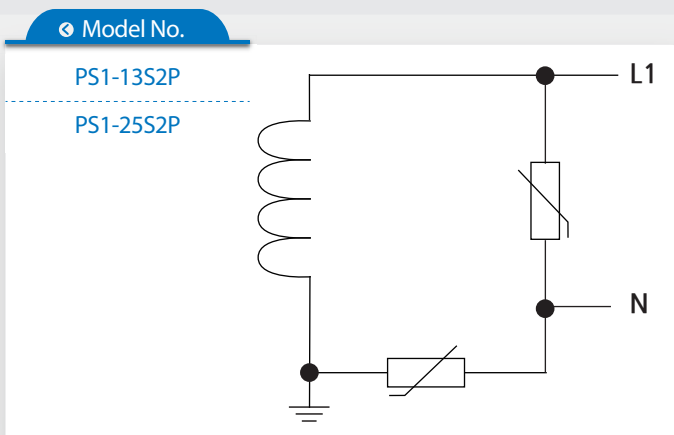
Model No.	PS1-13S3P	PS1-25S3P	PS1-13S3P/50G	PS1-25S3P/100G	
Nominal Voltage Rating	Tri-Phase 110~440V 3W+GND		Tri-Phase 110~440V 4W+GND		
MCOV (Vac)	110 ~ 320				
$I_n$ (kA) / $I_{imp}$ (kA) -8/20 $\mu$ S- / -10/350 $\mu$ S-	L-N	40 / 12.5	80 / 25	40 / 12.5	80 / 25
	N-PE	-	-	50 / 50	100 / 100
VPR (Vpk)	L-N	1.2	1.3	1.2	1.3
	N-PE	-	-	1.8	2.0
SCCR (kA)	200	200	200	200	

## ● Dimension

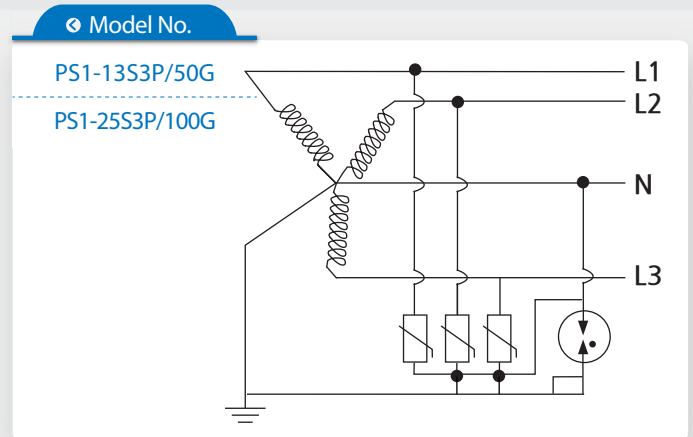
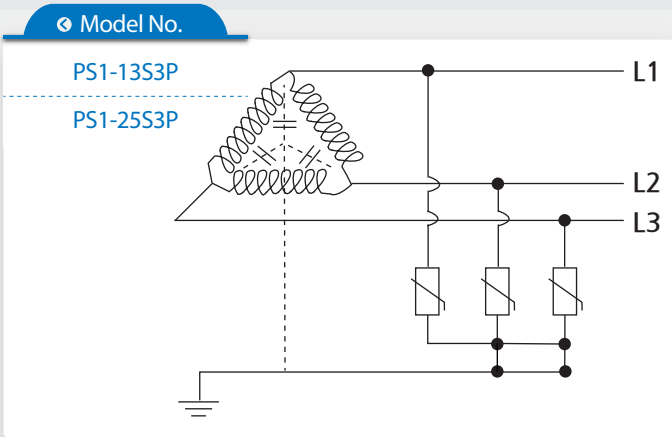


	Size (inch/mm)
W1	1.41 / 36
W2	2.83 / 72
W3	4.25 / 108
W4	5.66 / 144
H	3.54 / 90
D	2.63 / 67

## ● Circuit Diagram



● Circuit Diagram



memo



HEAD OFFICE

3960 West Point Loma Blvd. Ste. H San Diego, CA 92110  
**John Park** Director / Technical Support Dept.  
 Tel : +1-858,282,0901  
 johnpark@primepowersolutions.com  
 www.PrimePowerSolutions.com

