

SB Series Surge Protective Devices

High capacity Type 1,2 SPDs for overvoltage protection on switchgear and power distribution panels



Introduction

The SB Series of surge protective devices are tested by Underwriters Laboratory and Listed to UL 1449, 4th Edition to help ensure equipment is protected with highly reliable surge protection technology. Delta and Wye system units are available in three configurations to increase application flexibility. The SB Series is for installation external to an electrical enclosure or panelboard. Application of SB Series units throughout a facility will help ensure that equipment is protected.

Applications

SB Series are available in all common voltage and system configurations, and in a variety of peak surge current capacity ratings from 50 through 200 kA per phase. Several feature package options (filtering, audible alarm and Form C contacts) extend application flexibility along with a range of configurable options suitable for most commercial and light industrial applications covering service entrances, distribution panelboards and point-of-use applications.

● Features

- Duo-colored LED status indicators display
- thermally protected Metal Oxide Varistor (MOV) technology to safely shunt overvoltages to ground while its thermal disconnect capability eliminates the need for additional fusing
- 200kA Short-Circuit Current Rating (SCCR) meets the highest NEC requirements
- Models available to meet the overvoltage protection needs of Wye and Delta electrical systems.
- SB Series has the highest nominal discharge current (In) of 20kA per UL 1449 4th Edition.
- 120kA to 400kA surge current capacity (Imax) ratings meet the needs of larger switchgear and power distribution panel applications
- Optional Form C contact relay, EMI/RFI filtering and surge counter available to meet additional system requirements.

● Specifications

- Frequency (Hz)	: 50/60
- Protection Mode	: L-N / N-PE
- Degree of protection	: IP 20
- Diagnostics	: Green LEDs (Protected) / Red LEDs (Replace)
- Connection & Mounting Method	: Parallel Connection Type / Wall Mounting
- Internal Disconnecter	: Thermal Runaway Multi-Fusing Protection
- Size of connecting wir	: 10 ~ 16 mm ² (or # 7 ~ 5AWG)
- Optional Functions	: Remote Contact

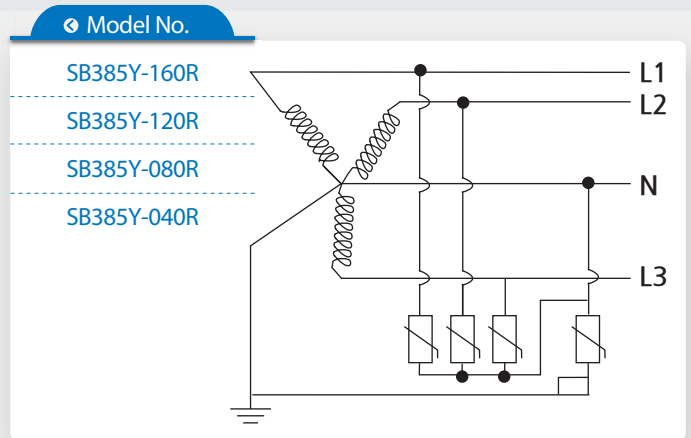
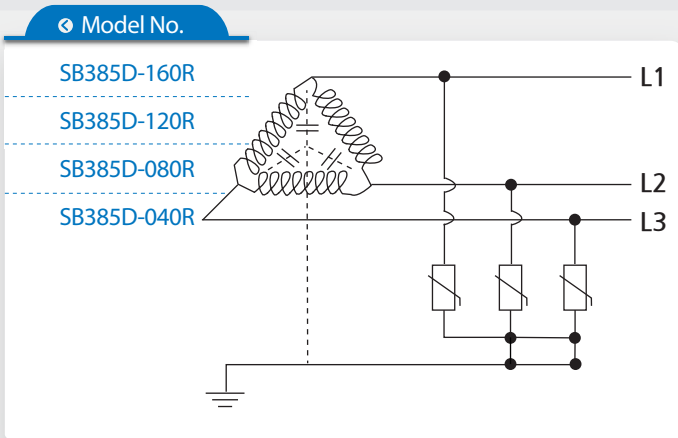
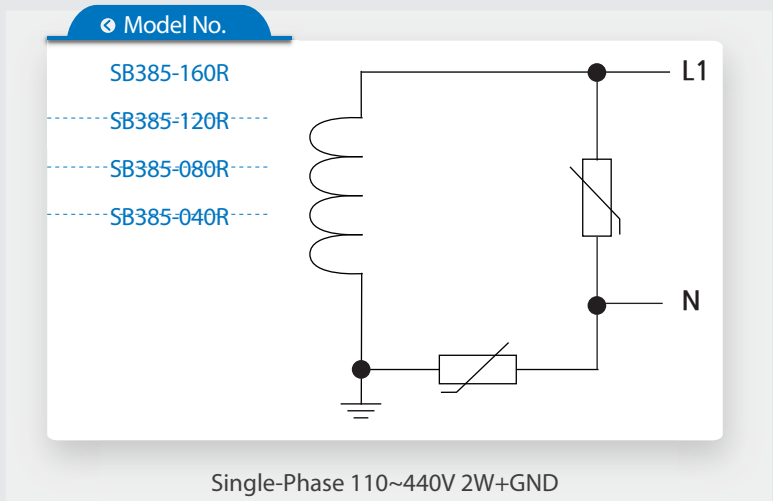
Model No.	SB385-160R	SB385-120R
Nominal Voltage Rating	Single-Phase 110~440V 2W+GND	
MCOV (Vac)	110 ~ 320	
I_{imp} (kA) -10/350 μ S-	12.5	6.5
I_{max} (kA) -8/20 μ S-	200	200
VPR (Vpk) (kV)	2.0	2.0
SCCR (kA)	200	200

Model No.	SB385-080R	SB385-040R
Nominal Voltage Rating	Single-Phase 110~440V 2W+GND	
MCOV (Vac)	110 ~ 320	
I_n (kA) -8/20 μ S-	40	20
I_{max} (kA) -8/20 μ S-	80	40
VPR (Vpk) (kV)	3.0	2.5
SCCR (kA)	200	200

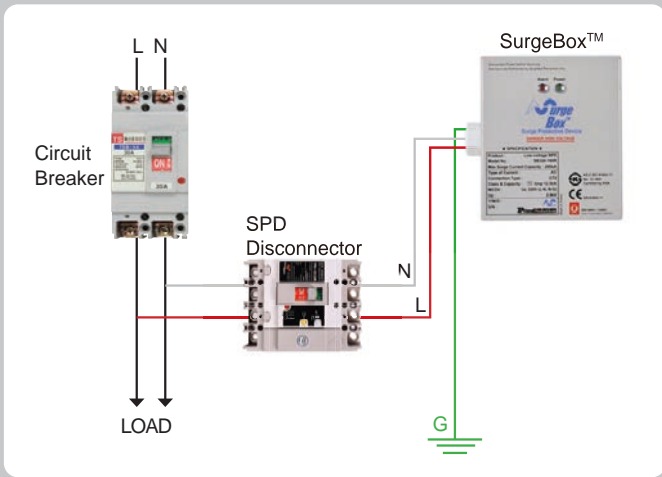
Model No.	SB385D-160R	SB385D-120R	SB385Y-160R	SB385Y-120R
Nominal Voltage Rating	Tri-Phase 110~440V 4W+GND		Tri-Phase 110~440V 4W+GND	
MCOV (Vac)	110 ~ 320			
I_{imp} (kA) -10/350 μ S-	12.5	6.5	12.5	6.5
I_{max} (kA) -8/20 μ S-	200	120	200	120
VPR (Vpk) (kV)	2.0	2.0	2.0	2.0
SCCR (kA)	200	200	200	200

Model No.	SB385D-080R	SB385D-040R	SB385Y-080R	SB385Y-040R
Nominal Voltage Rating	Tri-Phase 110~440V 3W+GND		Tri-Phase 110~440V 4W+GND	
MCOV (Vac)	110 ~ 320			
I_n (kA) -8/20 μ s-	40	30	40	20
I_{max} (kA) -8/20 μ s-	80	40	80	40
VPR (Vpk) (kV)	3.0	2.5	3.0	2.5
SCCR (kA)	200	200	200	200

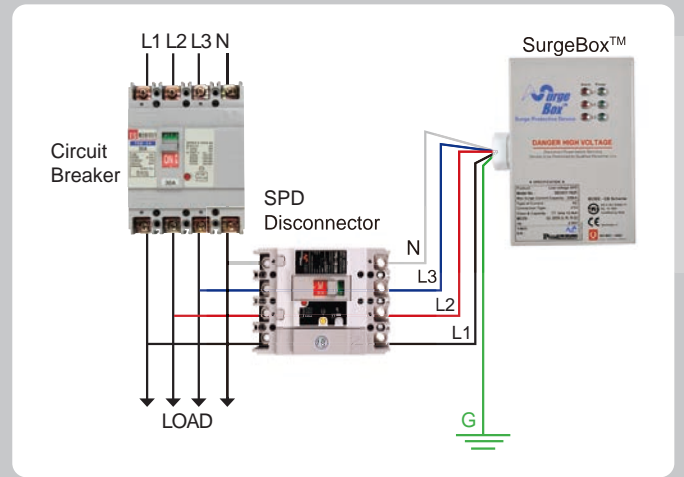
● Circuit diagram



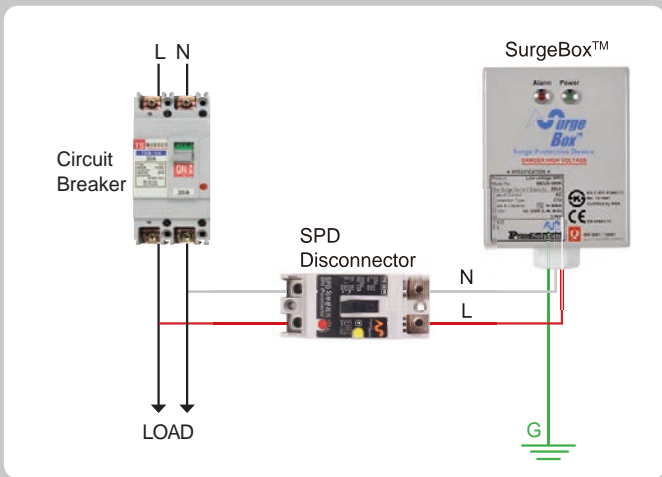
● Installation



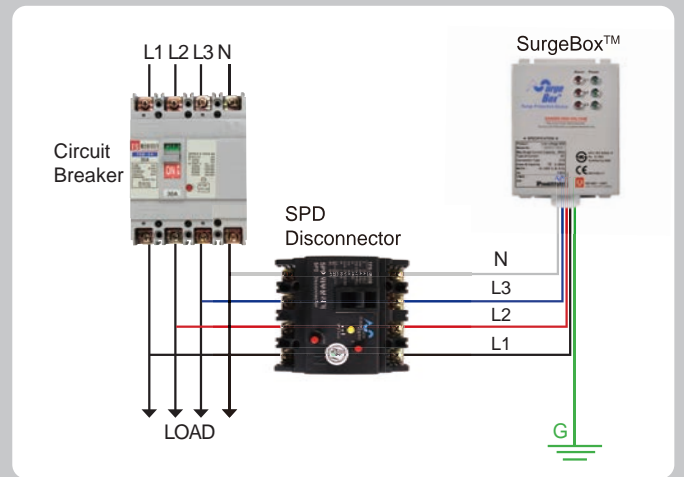
Type I – Single-Phase 2Wire



Type I – Tri-Phase 4Wire

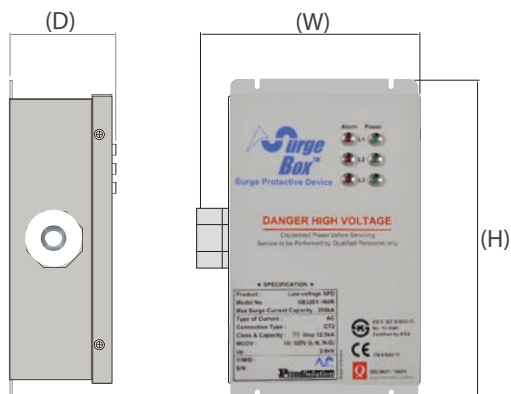


Type II – Single-Phase 2Wire

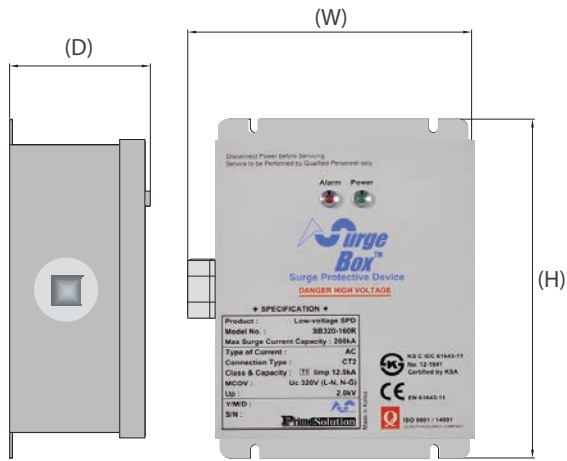


Type II – Tri-Phase 4Wire

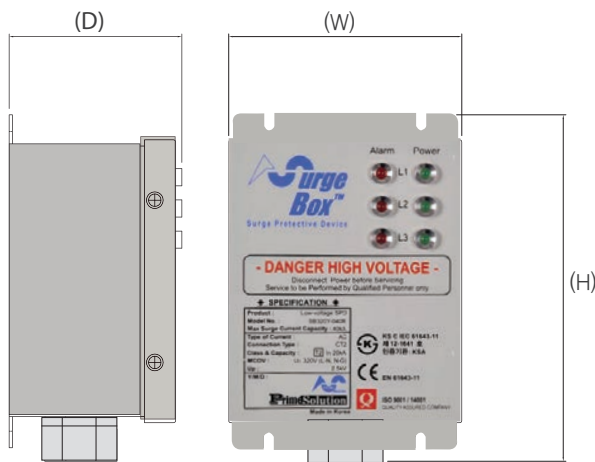
● Dimension



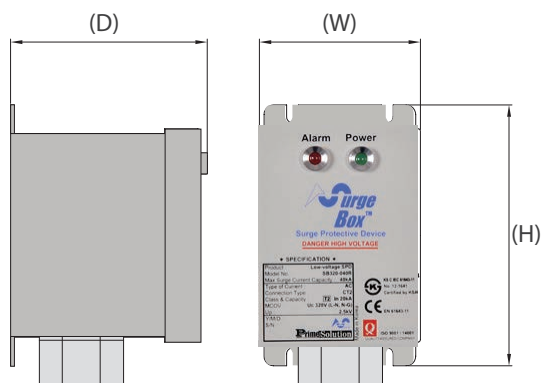
	Size(inch/mm)
W	6.77 / 172
H	9.84 / 250
D	3.26 / 83



Size(inch/mm)	
W	6.61 / 168
H	7.87 / 200
D	3.26 / 83



Size(inch/mm)	
W	5.11 / 130
H	7.63 / 184
D	3.26 / 83



Size(inch/mm)	
W	2.67 / 68
H	4.64 / 118
D	3.26 / 83



HEAD OFFICE

3960 West Point Loma Blvd. Ste. H San Diego, CA 92110

John Park Director / Technical Support Dept.

Tel : +1-858.282.0901

johnpark@primepowersolutions.com

www.PrimePowerSolutions.com